

Pre-owned School Units



\$75,000 @ less than \$35 per sq. ft.

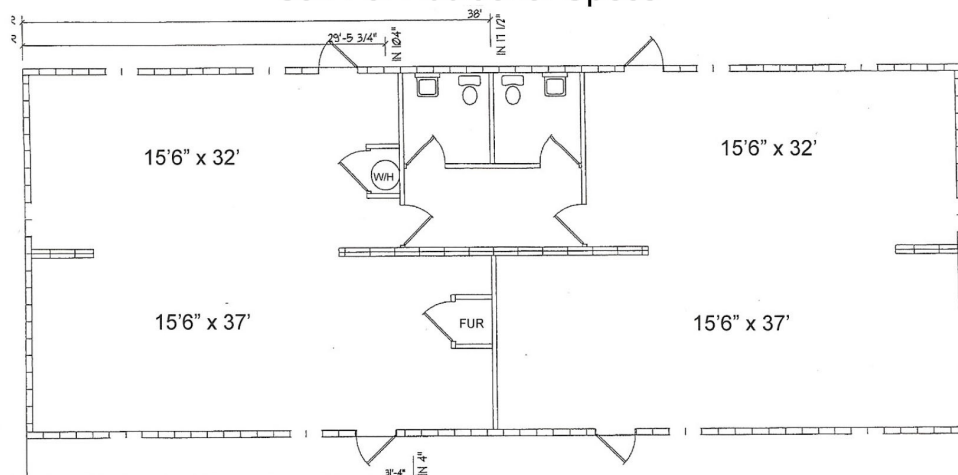
(Includes Delivery within a 150 mile radius)

Available Soon

* Buyer Responsible for All Permits, Utility Hookups & Site Prep

- 2 ADA Restrooms
- 6" Walls, All Drywall
- A/C and Furnace Included
- Vinyl Siding / Shingled Roof

* Call For Additional Specs



NU-TREND HOMES

6363 Grover Street - Omaha, NE 68106 - 402-733-8900 - www.nutrendomaha.com

Mon - Fri 8am to 6pm - Sat 10am to 5pm - Closed Sunday